



Shini Group

Addr: No. 23, Minhe St., Shulin Dist.,
New Taipei, Taiwan

Tel: +886 2 2680 9119

Fax: +886 2 2680 9229

Email: shini@shini.com

Factories:

- Taiwan
- Dongguan
- Pinghu
- Ningbo
- Chongqing
- Pune

Hopper

Contents

02 SVH/SMH Series

04 SHR-U-(E) Series

06 SHR-U-S(ES)-(T) Series

09 SWHR-U-(E) Series

11 SHR-P-U Series

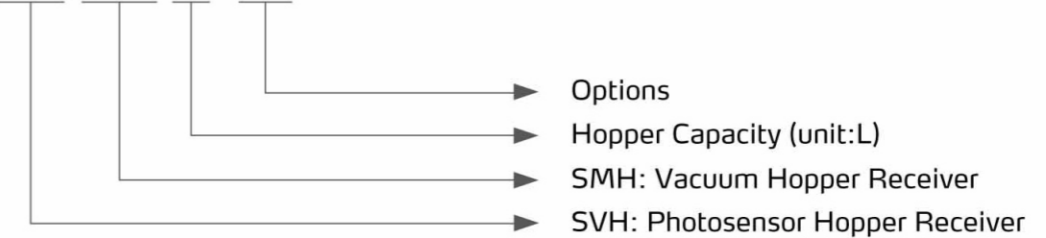
13 SHR-CP-U Series

14 SCH(-U)/SICH-U Series



■ Coding Principle

SVH/SMH-xL - xxx



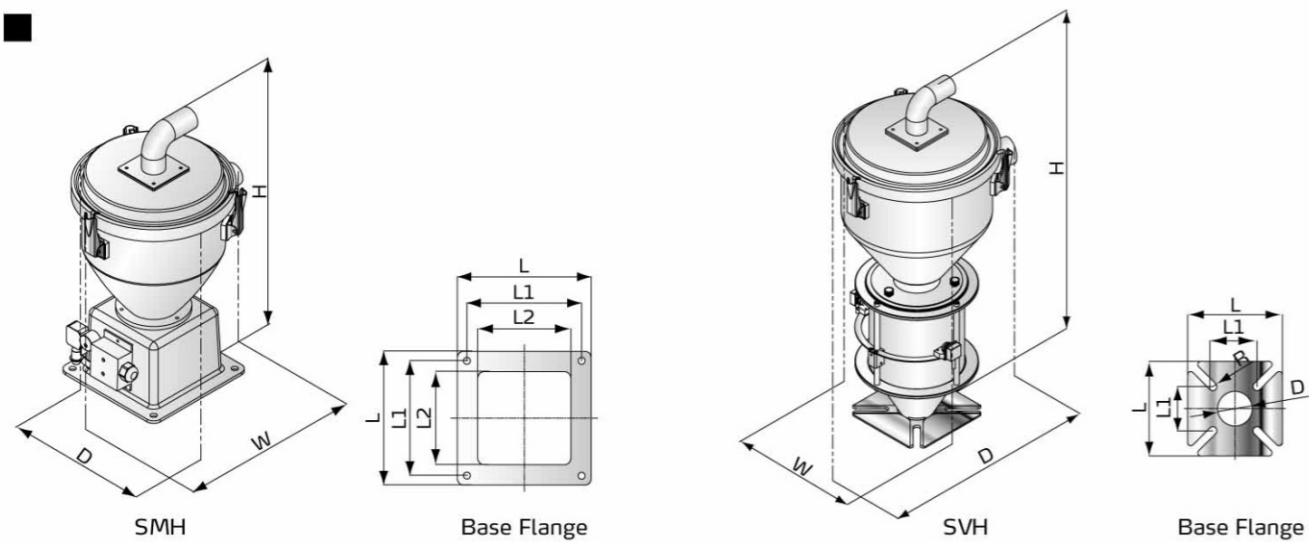
■ Features

- This series of products are mainly used for collocating with Hopper Loader SAL-G
- SMH is suitable to mount on Shini Dryer, storage tank or other containers as receiving device in material conveying process.
- SVH equipped a glass-pipe temporary storage device at the bottom, which is suitable to mount at the inlet of the molding machine. It ensures no material shortage of the molding machine during suction process to achieve successive production.
- Stainless steel hopper ensures no material contamination
- Standard equipped with steel wired filter screen

■ Accessory Option

- It is available to select SCH-6 storage bin and SMH-6L/12L vacuum hopper, both of which can be directly mounted on injection molding machine.
- Quick mixing valve can be opted to work with proportional valve to enhance mixing effect. Add "QM" at the end of the model code.

SVH/SMH Series



SVH Specifications

Model	Hopper				
	Hopper capacity (L)	Dimension H×W×D (mm)	Weight (kg)		
SVH-3L	3	460×260×315	3	1.5	1.5
SVH-6L	6	600×260×305	7	1.5	1.5
SVH-12L	12	700×300×365	11	1.5	1.5
SVH-24L	24	1120×360×375	13	2	2

SVH Base mounting dimensions

Model	L (mm)	L1 (mm)	D (mm)	R (mm)
SVH-3L	120	50	4	6.5
SVH-6L	150	70	55	6.5
SVH-12L	180	80	55	6.5
SVH-24L	180	80	80	6.5

SMH Specifications

Model	Hopper				
	Hopper capacity (L)	Dimension H×W×D (mm)	Weight (kg)		
SMH-6L	6	460 × 260 × 315	7	1.5	1.5
SMH-12L	12	515 × 325 × 350	7	1.5	1.5
SMH-24L	24	720 × 325 × 375	9	2	2

SMH Base mounting dimensions

Model	L (mm)	L1 (mm)	L2 (mm)
SMH-6L	210	180	146
SMH-12L			
SMH-24L			



SHR-U



SHR-U-E

SHR-U-(E) Series

Coding Principle

SHR - xU - (E) - xxx



Options

E: photosensor

x: Hopper Capacity

U: European Type

SHR: European Vacuum Hopper Receiver

Features

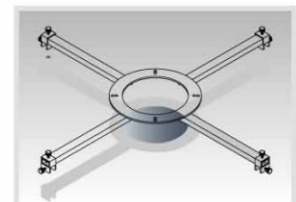
- This series of products are mainly used for collocating with Hopper Loader SAL-UG and Compact Dryer SCD. With SAL-UG, adopts 6P connector; with SCD, adopts 4P connector.
- SHR-U is suitable to mount on Shini Dryer, storage tank or other containers as receiving device in material conveying process.
- SHR-U-E equipped a glass-pipe temporary storage device at the bottom, which is suitable to mount at the inlet of the molding machine. It ensures no material shortage of the molding machine during suction process to achieve successive production.
- Stainless steel hopper ensures no material contamination
- Standard equipped with steel wired filter screen

Accessory Option

- Optionally provide multi-functional installation frame HMB-900 with 900mm largest dia. adjusting range for selection. Add "HMB" at the end of the model code.
- Options with storage collective hopper SCH-U and heat-insulated collective hopper SICH-U are available for direct mounting hopper receiver SHR-U at the inlet of the molding machine.
- Quick mixing valve can be opted to work with proportional valve to enhance mixing effect. Add "QM" at the end of the model code.
- For filter auto-purging device, add "C" at the end of the model code.
- SHR-12U and above models are available to option with air accumulator to enhance purging effect. Add "A" at the end of the model code.
- For models optional with non-return valve to avoid air leakage of shared pipe, add "RSV" at the end of the model code.



Air accumulator



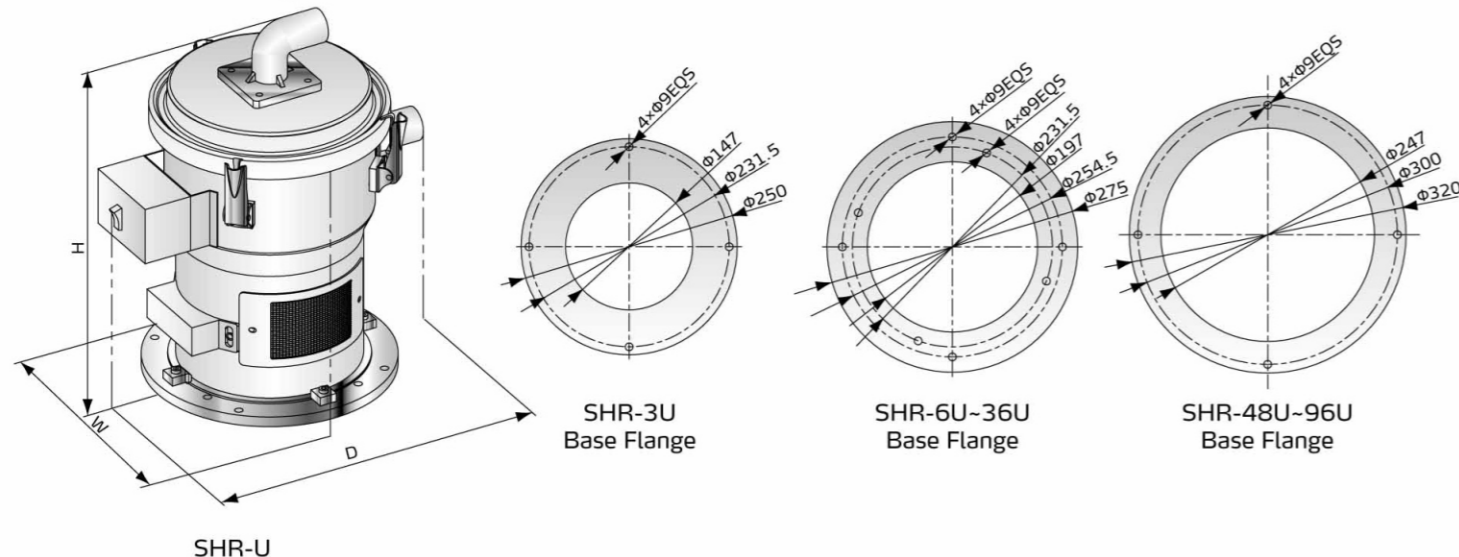
Multifunctional installation frame



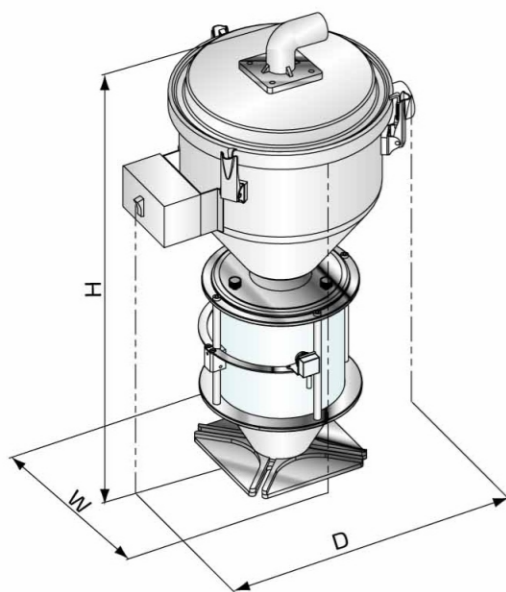
Auto-purging device

SHR-U-(E) Series

Outline Drawings



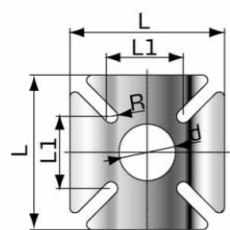
Specifications



Model	Hopper capacity (L)	Hopper		Conveying Pipe Dia. (inch)	Air Suction Pipe Dia. (inch)
		Dimension (H×W×D) (mm)	Weight (kg)		
SHR-3U	3	380 × 250 × 330	4	1.5	1.5
SHR-3U-E		535 × 207 × 310			
SHR-6U	6	420 × 285 × 360	6	1.5	1.5
SHR-6U-E		600 × 275 × 360			
SHR-12U	12	470 × 315 × 400	7	1.5	1.5
SHR-12U-E		700 × 315 × 400			
SHR-24U	24	690 × 315 × 400	9	2	2
SHR-24U-E		1120 × 360 × 400			
SHR-36U	36	930 × 315 × 400	11	2	2.5
SHR-48U	48	975 × 350 × 485	15	2.5	3
SHR-96U	96	1220 × 430 × 560	20	2.5	3

SHR-U-E Base mounting dimensions

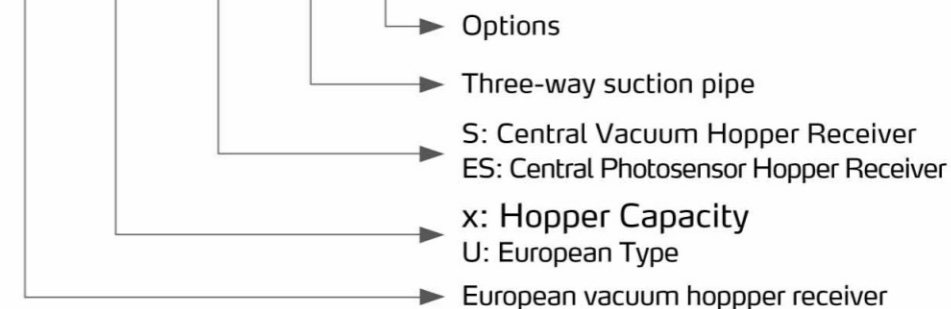
Model	L (mm)	L1 (mm)	d (mm)	R (mm)
SHR-3U-E	120	50	40	6.5
SHR-6U-E	150	70	55	6.5
SHR-12U-E	180	80	55	6.5
SHR-24U-E	180	85	80	6.5



SHR-U-S(ES)-(T) Series

Coding Principle

SHR - xU - S(ES) - (T) - xxx



Features

- This series of products are mainly used for collocating with Hopper Loader SAL-UG122 and SAL-UG124, and also can be used in central conveying system.
- SHR-U-S is suitable to mount on Shini Dryer, storage tank or other containers as receiving device in material conveying process.
- SHR-U-ES equipped a glass-pipe temporary storage device at the bottom, which is suitable to mount at the inlet of the molding machine. It ensures no material shortage of the molding machine during suction process to achieve successive production.
- SHR-U-S-T or SHR-U-ES-T is mainly used for collocating with SGB; the three-way T suction inlet is convenient to connect numbers of suction inlets of the hopper.
- Stainless steel hopper ensures no material contamination
- Equipped with vacuum separating valve is available to open/close the vacuum return loop.
- Standard equipped with steel wired filter screen

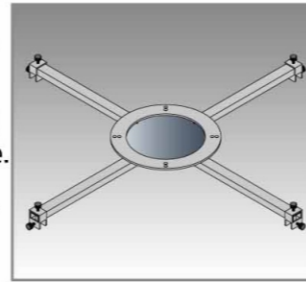


SHR-U-S/ES-(T) Series

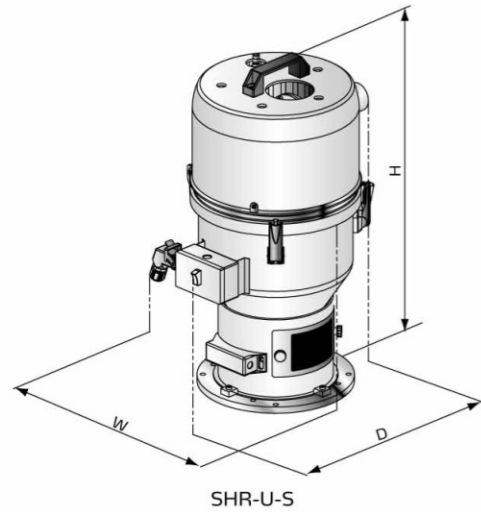


Accessory Option

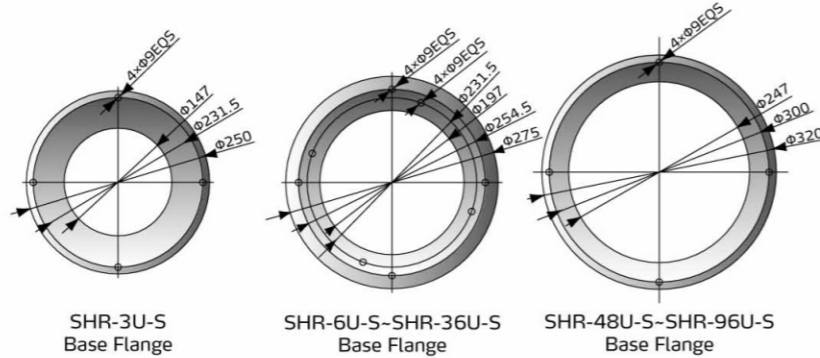
- Optionally provide multi-functional installation frame HMB-900 with 900mm largest dia. adjusting range for selection. Add "HMB" at the end of the model code.
- Options with storage collective hopper SCH-U and heat-insulated collective hopper SICH-U are available for direct mounting hopper receiver SHR-U-S at the inlet of the molding machine.
- Optional with contrary stop valve to avoid central conveying system leakage when connecting with shared material pipeline, add "RSV" at the end of the model code.



Multifunctional installation frame



SHR-U-S



SHR-3U-S Base Flange

SHR-6U-S-SHR-36U-S Base Flange

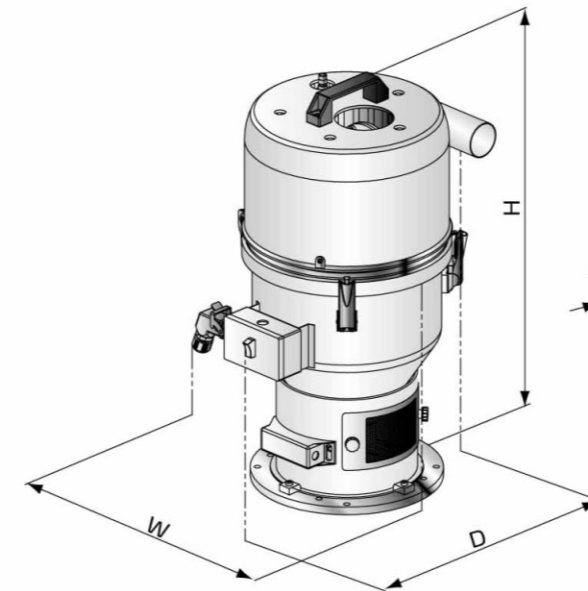
SHR-48U-S-SHR-96U-S Base Flange

SHR-U-S Specifications

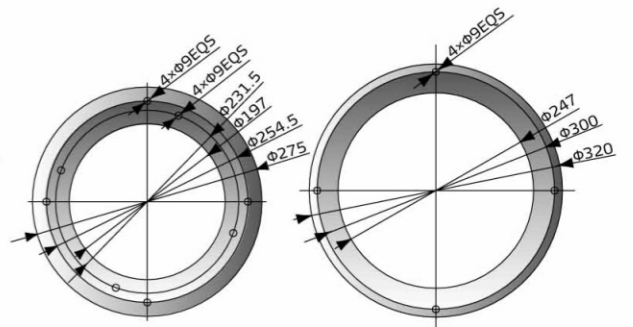
Model	Hopper capacity (L)	Hopper		Conveying Pipe Dia. (inch)	Air Suction Pipe Dia. (inch)
		Dimension (H×W×D) (mm)	Weight (kg)		
SHR-3U-S	3	600 × 270 × 340	4.5	1.5	2
SHR-3U-ES		745 × 270 × 330			
SHR-6U-S	6	560 × 305 × 375	7.5	1.5	2
SHR-6U-ES		730 × 305 × 375			
SHR-12U-S	12	615 × 335 × 405	9	1.5	2
SHR-12U-ES		810 × 335 × 405			
SHR-24U-S	24	825 × 335 × 405	11	2	2.5
SHR-24U-ES		1255 × 400 × 405			
SHR-36U-S	36	1035 × 335 × 405	12	2	2.5
SHR-48U-S	48	1140 × 400 × 480	18	2.5	3
SHR-96U-S	96	1400 × 480 × 560	23	2.5	3

SHR-U-S Base mounting dimensions

Model	L (mm)	L1 (mm)	d (mm)	R (mm)
SHR-3U-ES	120	50	40	6.5
SHR-6U-ES	150	70	55	6.5
SHR-12U-ES	180	80	55	6.5
SHR-24U-ES	180	85	80	6.5

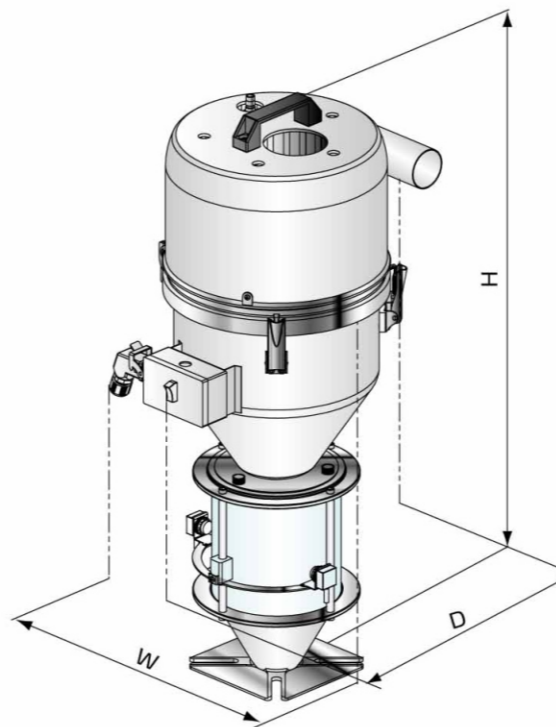


SHR-3U-ST

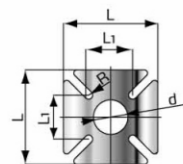


SHR-6U-S-SHR-36U-ST

SHR-48U-S-SHR-96U-ST



SHR-U-ES



SHR-U-ES Base Flange

SHR-U-ST Specifications

Model	Hopper capacity (L)	Hopper		Conveying Pipe Dia. (inch)	Air Suction Pipe Dia. (inch)
		Dimension (H×W×D) (mm)	Weight (kg)		
SHR-3U-ST	3	600 × 260 × 370	4.5	1.5	2
SHR-3U-EST		745 × 235 × 370			
SHR-6U-ST	6	560 × 290 × 400	7.5	1.5	2
SHR-6U-EST		727 × 280 × 400			
SHR-12U-ST	12	615 × 305 × 440	9	1.5	2
SHR-12U-EST		810 × 305 × 440			
SHR-24U-ST	24	825 × 305 × 455	11	2	2.5
SHR-24U-EST		1255 × 400 × 455			
SHR-36U-ST	36	1035 × 305 × 455	12	2	2.5
SHR-48U-ST	48	1145 × 350 × 515	18	2.5	3
SHR-96U-ST	96	1400 × 430 × 560	23	2.5	3

SHR-U-EST Base mounting dimensions

Model	L (mm)	L1 (mm)	d (mm)	R (mm)
SHR-3U-EST	120	50	40	6.5
SHR-6U-EST	150	70	55	6.5
SHR-12U-EST	180	80	55	6.5
SHR-24U-EST	180	85	80	6.5



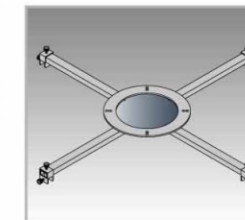
SWHR-U

SWHR-U-E

SWHR-U Series

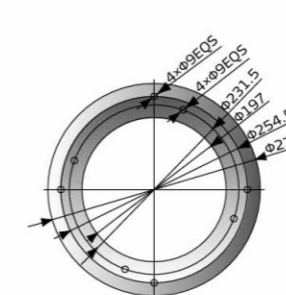
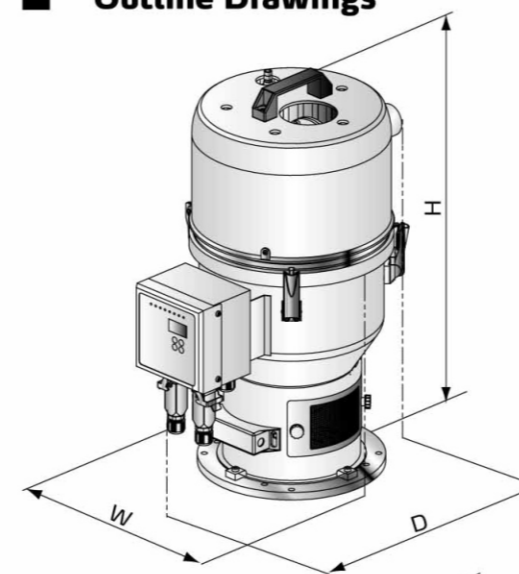
Accessory Option

- Optionally provide multi-functional installation frame HMB-900 with 900mm largest dia. adjusting range for selection. Add "HMB" at the end of the model code.
- Options with storage collective hopper SCH-U and heat-insulated collective hopper SICH-U are available for direct mounting hopper receiver SWHR-U at the inlet of the molding machine.

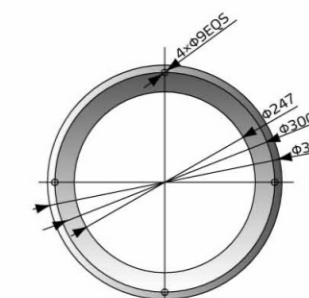


multi-functional installation frame

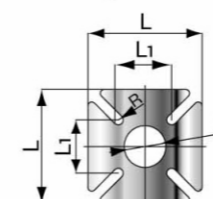
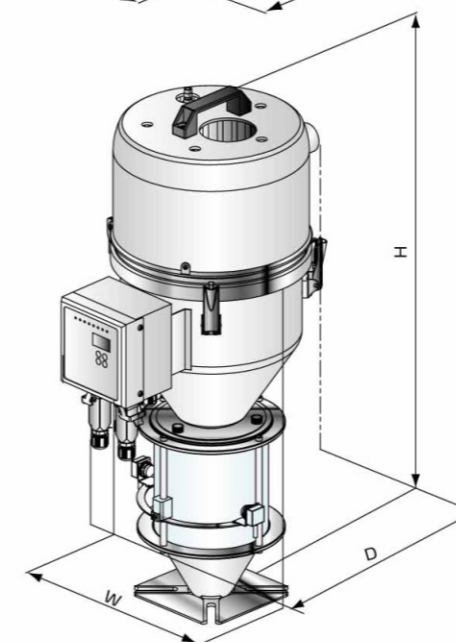
Outline Drawings



SWHR-6U(E)-SWHR-36U(E)



SWHR-48U(E)-SWHR-96U(E)



SWHR-U-(E)Series

Coding Principle

SWHR - xU - (E) - xxx

Options

E: Photosensor

x: Hopper Capacity

U: European Type

Single-wire Vacuum Hopper Receiver

Features

- This series of products are mainly used for collocating with Central Conveying System SWCS.
- It features simple wiring mode in comparison of the traditional central hopper, the easy connection of signal wire between hopper and main unit or between the hoppers avoid the complicated electrical wiring.
- Each hopper is equipped with independent control function.
- SWHR-U is suitable to mount on Shini Dryer, storage tank or other containers as receiving device in material conveying process.
- SWHR-U-E equipped a glass-pipe temporary storage device at the bottom, which is suitable to mount at the inlet of the molding machine. It ensures no material shortage of the molding machine during suction process to achieve successive production.
- Stainless steel hopper ensures no material contamination.
- Equipped with vacuum separating valve is available to open/close the vacuum return loop.
- Standard equipped with steel wired filter screen.

SWHR-U Specifications

Model	Hopper capacity (L)	Hopper		Conveying Pipe Dia. (inch)	Air Suction Pipe Dia. (inch)
		Dimension (H×W×D) (mm)	Weight (kg)		
SWHR-6U	6	560 × 305 × 425	7.5	1.5	2
SWHR-6U-E		730 × 305 × 425	9.5		
SWHR-12U	12	615 × 335 × 455	9	1.5	2
SWHR-12U-E		810 × 335 × 455	14		
SWHR-24U	24	825 × 335 × 455	11	2	2.5
SWHR-24U-E		1255 × 400 × 455	15		
SWHR-36U	36	1035 × 335 × 455	12	2	2.5
SWHR-48U	48	1140 × 400 × 530	18	2.5	3
SWHR-96U	96	1400 × 480 × 590	23	2.5	3

SWHR-U-E Base Flange

Model	L (mm)	L1 (mm)	d (mm)	R (mm)
SWHR-6U-E	150	70	55	6.5
SWHR-12U-E	180	80	55	6.5
SWHR-24U-E	180	85	80	6.5



SHR-P-60U

SHR-P-U Series

Coding Principle

SHR - P - xU

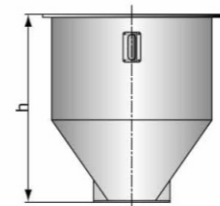
- x: hopper capacity
European vacuum hopper receiver
- P: for powder conveying
- European vacuum hopper receiver

Features

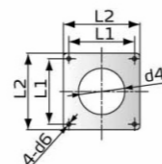
- This series of products are mainly used for collocating with Hopper Loader SAL-UGP
- SHR-P-U consists of two categories, the cloth mesh filter and the plate filter. Cloth mesh filter is used to convey materials with powder content ≤30%, plate filter is used to convey materials with powder content >30%.
- Stainless steel hopper ensures no material contamination
- Equipped with vacuum separating valve is available to open/close the vacuum return loop.
- The auto-purging device to clean the filter after each suction, it ensures good ventilation for the filter.

Accessory Option

- Storage Collective Hopper can be opted by SHR-P-12U and above models.

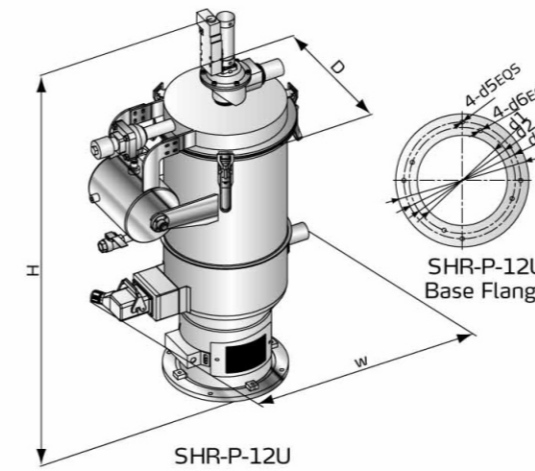


Storage Collective Hopper(Optional)

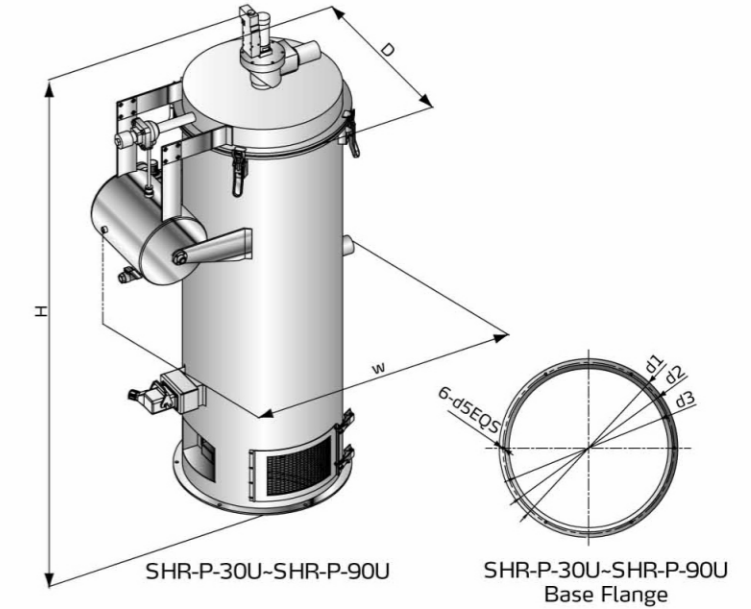


Base Flange

Outline Drawings



SHR-P-12U



SHR-P-30U~SHR-P-90U

SHR-P-30U~SHR-P-90U Base Flange

Specifications

Model	SHR-P-12U	SHR-P-30U	SHR-P-30U-1	SHR-P-30U-2	SHR-P-60U	SHR-P-60U-3	SHR-P-90U	SHR-P-90U-5
Hopper capacity (L)	12	30	30	30	60	60	90	90
H(mm)	940	1325	1325	1325	1500	1500	1640	1640
W(mm)	535	730	730	730	780	780	890	890
D(mm)	380	470	470	470	500	500	635	635
d3(mm)	φ197	φ430	φ430	φ430	φ490	φ490	φ600	φ600
d1(mm)	φ231	φ413	φ413	φ413	φ470	φ470	φ583	φ583
d2(mm)	φ254	φ377	φ377	φ377	φ437	φ437	φ547	φ547
d5(mm)	φ275	φ100	φ100	φ100	φ127	φ127	φ152.4	φ152.4
d4(mm)	φ9	φ7	φ7	φ7	φ7	φ7	φ7	φ7
d6(mm)	φ9	φ11	φ11	φ11	φ11	φ11	φ11	φ11
h(mm)	-	423	423	423	516	516	637	637
L1(mm)	-	180	180	180	180	180	180	180
L2(mm)	-	210	210	210	210	210	210	210
Weight(kg)	27	57	60	63	60	69	72	87
Conveying Pipe Dia. (inch)	1.5	1.5	1.5	1.5	2.0	2.0	2.5	2.5
Conveying Pipe Dia. (inch)	1.5	1.5	1.5	1.5	2.0	2.0	2.5	2.5

SCH(-U)/SICH-U Series



Coding Principle

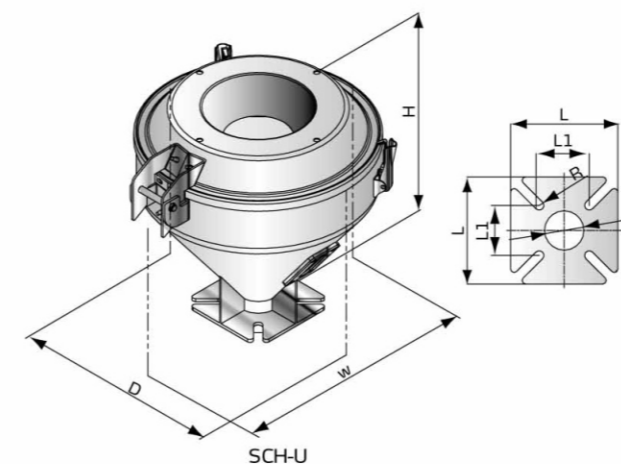
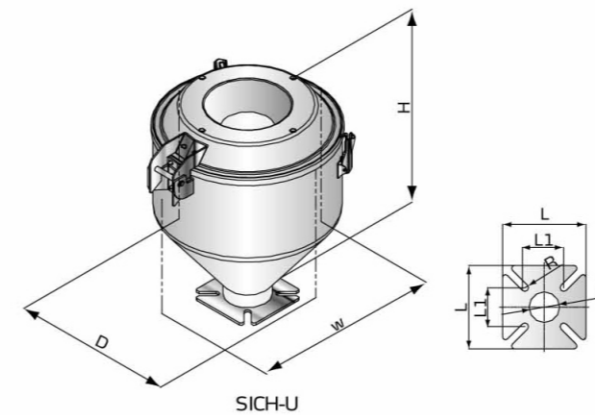
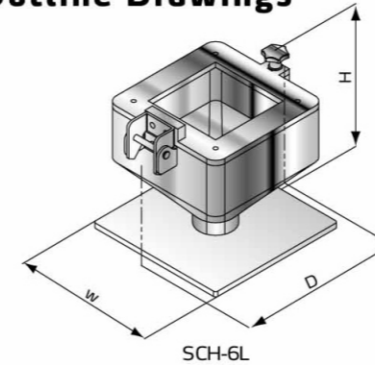
S(I)CH - xU(L)

- x: Hopper Capacity
- U: European Type
- Hopper Capacity Unit: L
- SCH: Shini Storage Collective Hopper
- SICH: Shini Heat-insulated Collective Hopper

Features

- SCH is mainly used for collocating with vacuum hopper SMH
- SCH-U and SICH-U are mainly used for collocating with hopper receiver SHR-H, SHR-U-S and SWHR-U
- Heat-insulated collective hopper SICH-U ensures temperature decrease no more than 30°C within 30 minutes
- SCH-U and SICH-U are made of stainless steel, which ensure no material contamination
- SCH is cast by Aluminum material

Outline Drawings



Specifications

SCH-6L

Model	Hopper capacity (L)	Dimension (H×W×D) (mm)	Weight (kg)
SCH-6L	6	275 × 270 × 320	11

SICH-U

Model	Hopper capacity (L)	Dimension (H×W×D) (mm)	Weight (kg)
SICH-6U	6	340 × 345 × 300	8
SICH-12U	12	425 × 405 × 350	11
SICH-24U	24	535 × 490 × 430	15

SICH-U Base Flange

Model	L (mm)	L1 (mm)	d (mm)	R (mm)
SICH-6U	150	81	51.5	6.5
SICH-12U	150	81	55	6.5
SICH-24U	180	85	64.5	6.5

SCH-U

Model	Hopper capacity (L)	Dimension (H×W×D) (mm)	Weight (kg)
SCH-6U	6	275 × 335 × 300	4.5
SCH-12U	12	340 × 395 × 350	7
SCH-24U	24	420 × 480 × 430	9

SCH-U Base Flange

Model	L (mm)	L1 (mm)	d (mm)	R (mm)
SCH-6U	150	81	55	6.5
SCH-12U	150	81	55	6.5
SCH-24U	180	85	80	6.5

SHR-P-U/SCH(-U)/SICH-U Series

Coding Principle

SHR -CP-U

- U: European type
- Powder-removing mode
- Optical powder-removing hopper

Features

- Mainly used for collocating with Compact Dryer SCD-OP
- It can remove the powder in the material to avoid stains generating in the molding process.
- Adopts stainless steel SUS304 to ensure no material contamination
- Standard equipped with adjustable level sensor

Specifications

Model	Hopper				Conveying Pipe Dia. (inch)	Air Suction Pipe Dia. (inch)
	Hopper capacity (L)	Dust-removing efficiency	Handling capacity (kg/hr)	Dimension (H×W×D) (mm)		
SHR-CP-3U	3	80%	10	820 × 280 × 305	8	1.5

Outline Drawings

